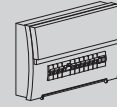


Installation Procedure

WARNING

1. Switch off before installation.
2. Switch on only after complete installation and examination of the circuit.
3. Professional electrician for installation and maintenance only.

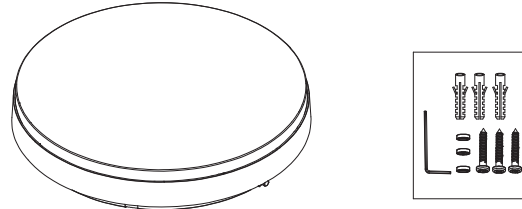


Turn Off
Power Supply

Turn Off power supply before starting any installation. Read instructions & check you have all the tools & accessories to complete the installation correctly.

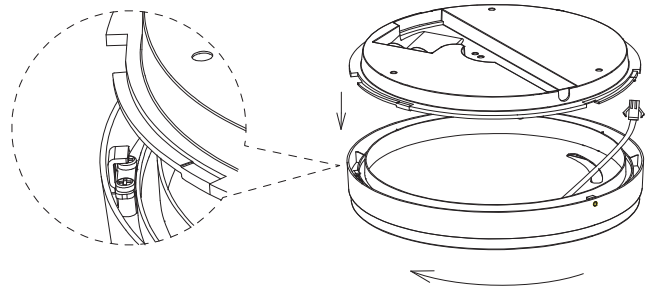
■ Surface Mounted Installation

Step 1



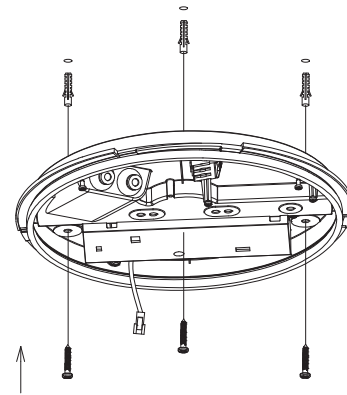
Take out ceiling light and accessory pack from box.

Step 2



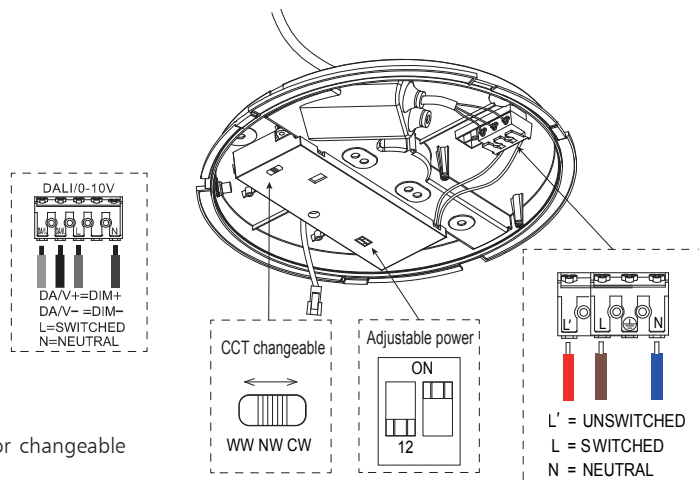
Take the lamp cover apart by rotating it in anti-clockwise direction.

Step 3



Knock-in the plastic anchor into ceiling, fix the base.

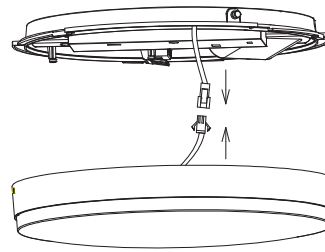
Step 4



Feed the AC wire into terminal block respectively; If with 3CCT or changeable power function, choose preferred CCT or wattage by slide switch.

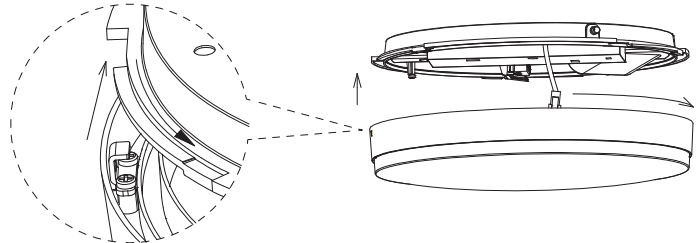
Step 5

Plug the male and female connector.



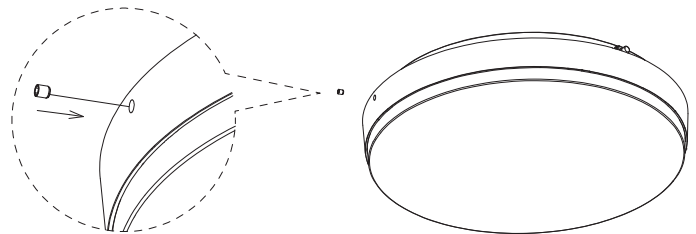
Step 6

Align the hooks on the lamp cover with the notch of the base, rotate the lamp cover clockwise until they match well.



Step 7

Lock the anti-theft screws on the side of the lamp body.



Step 8

Switch on.

